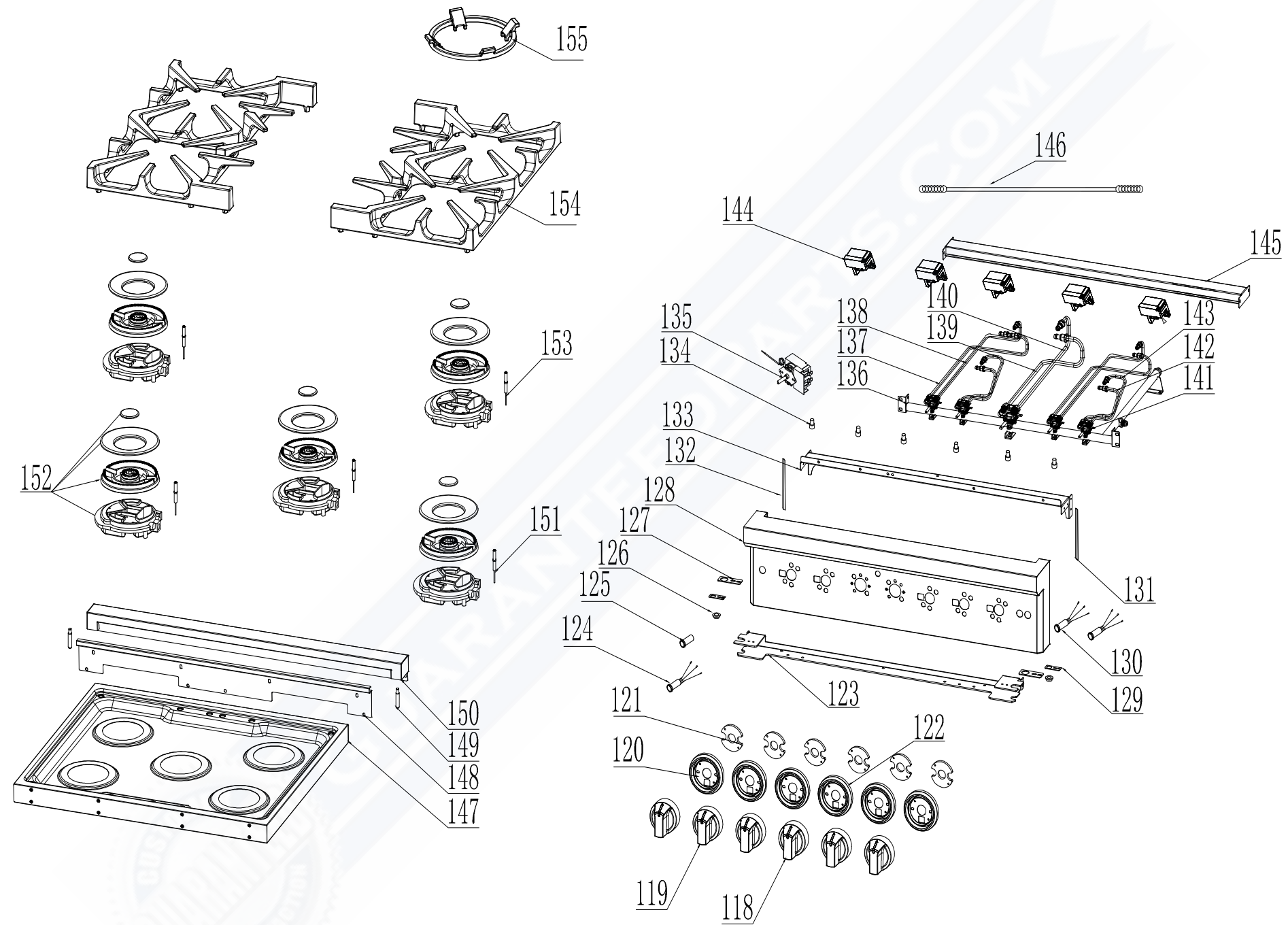
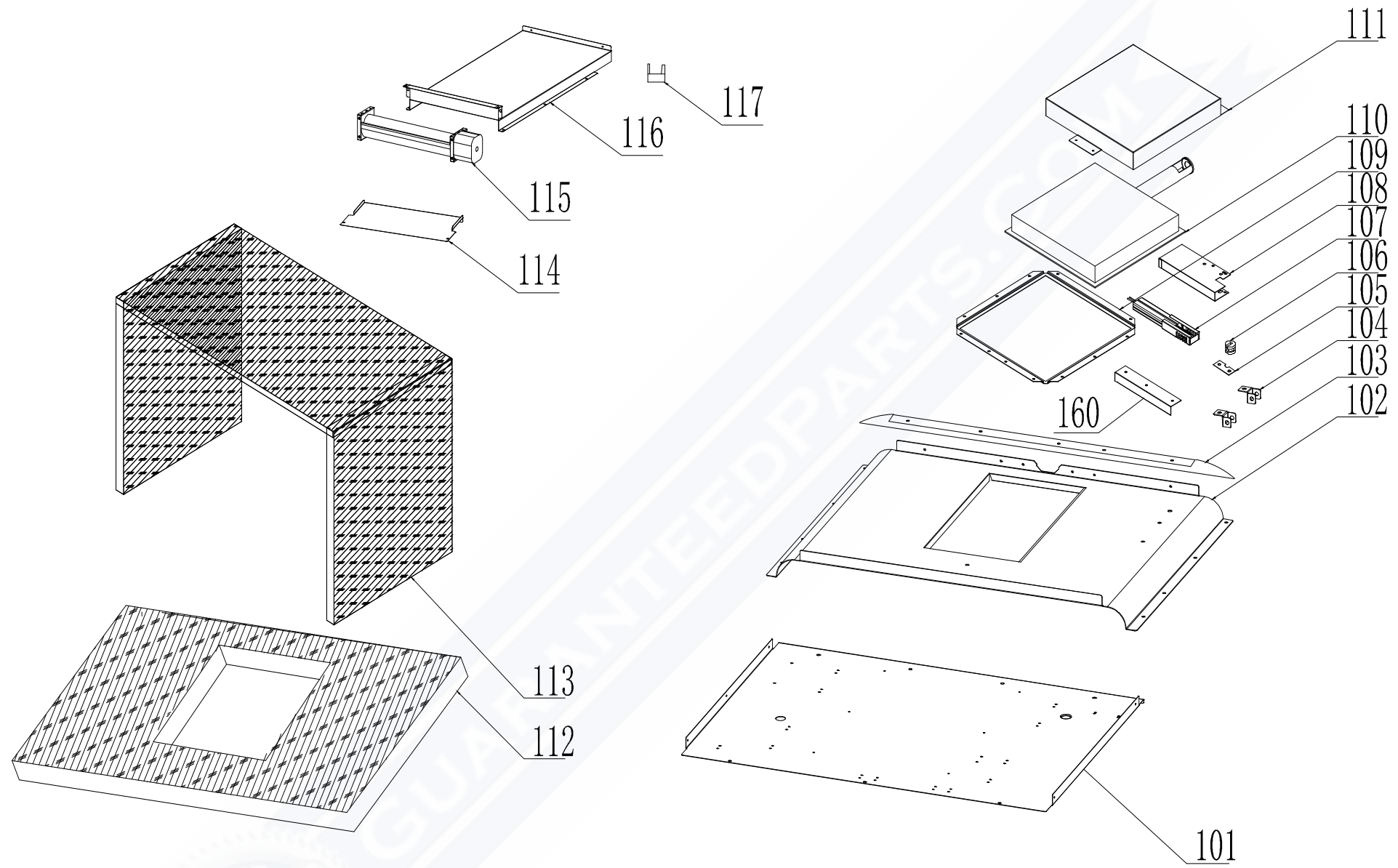


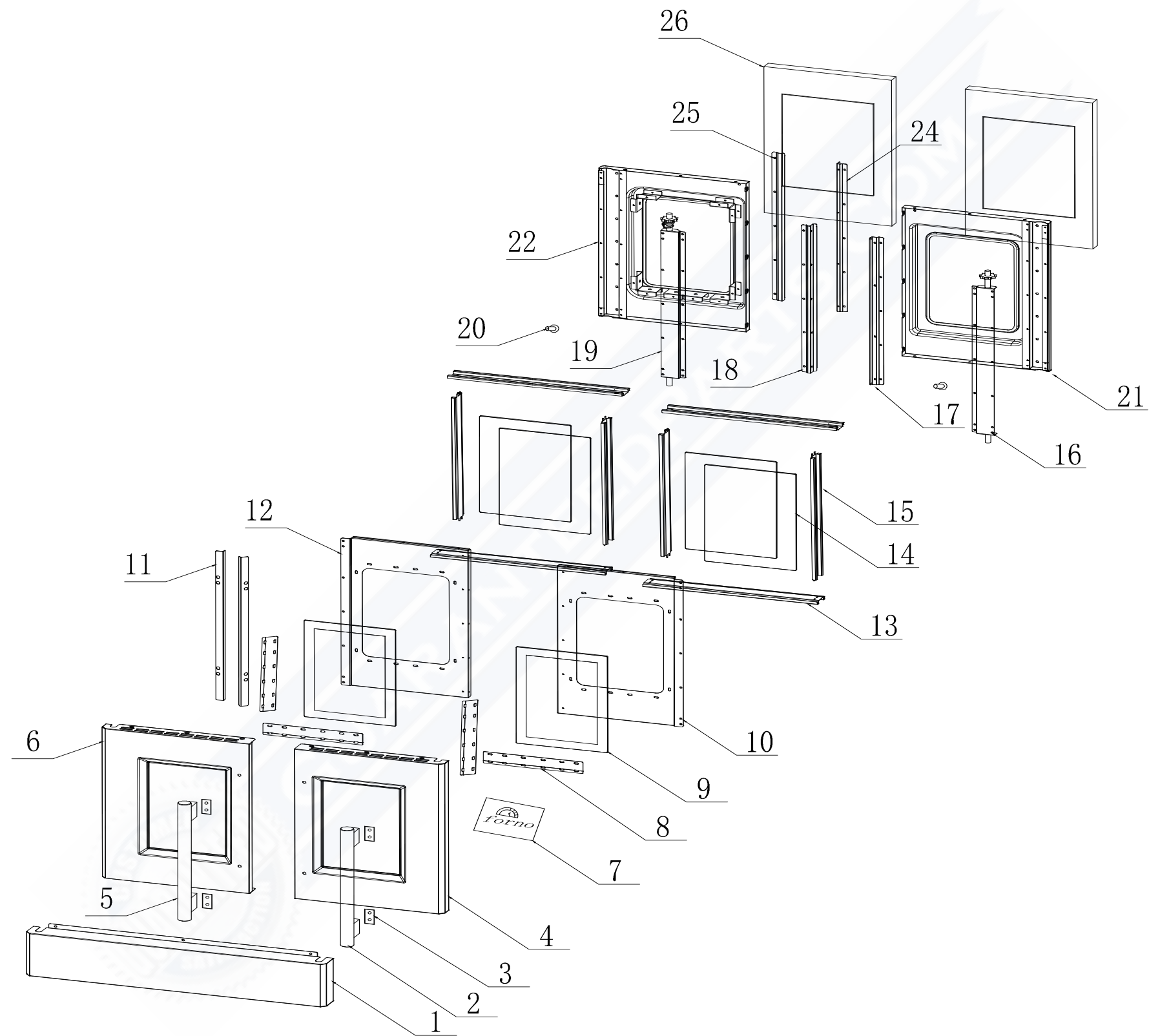
cooktop



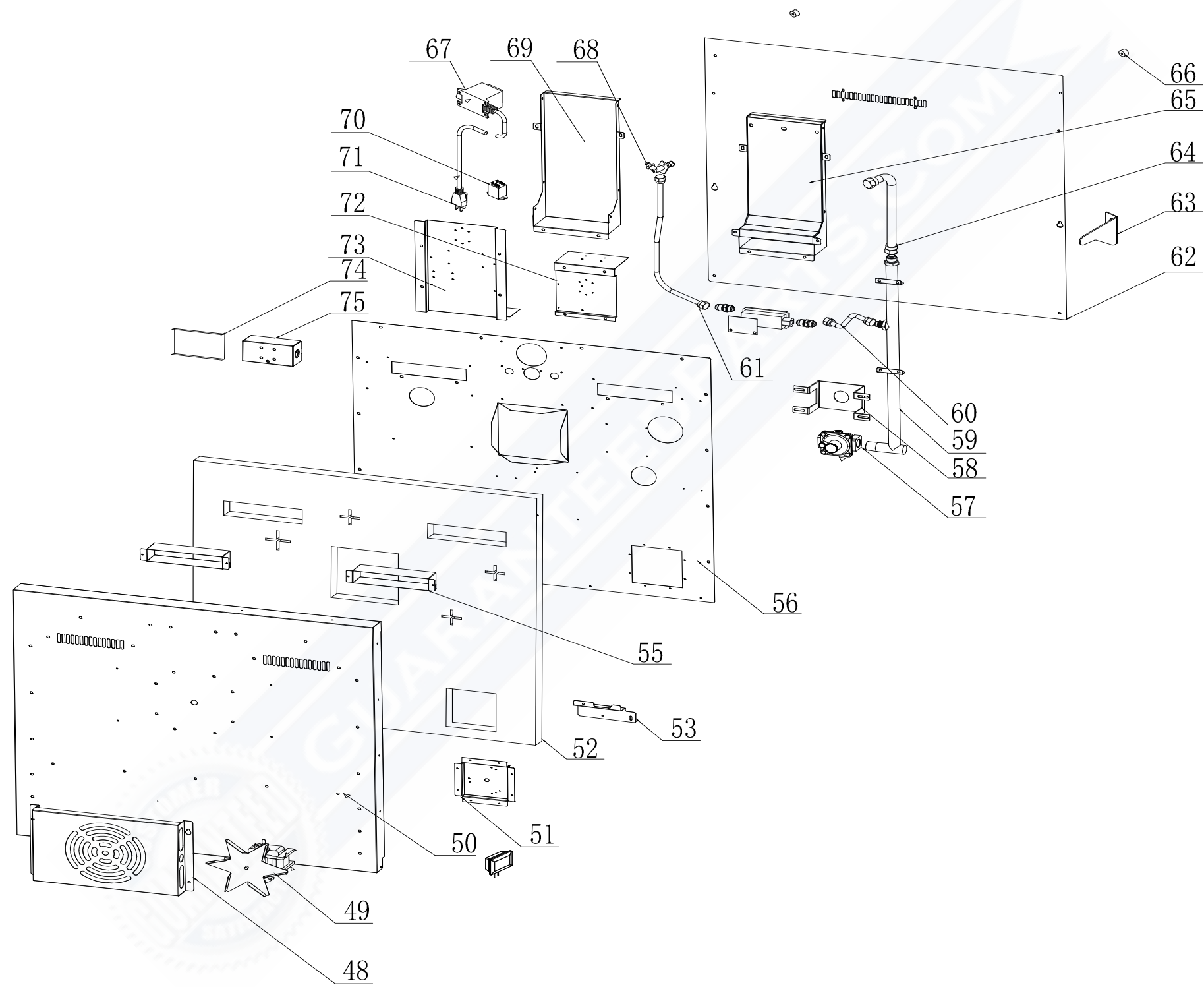
cavity top



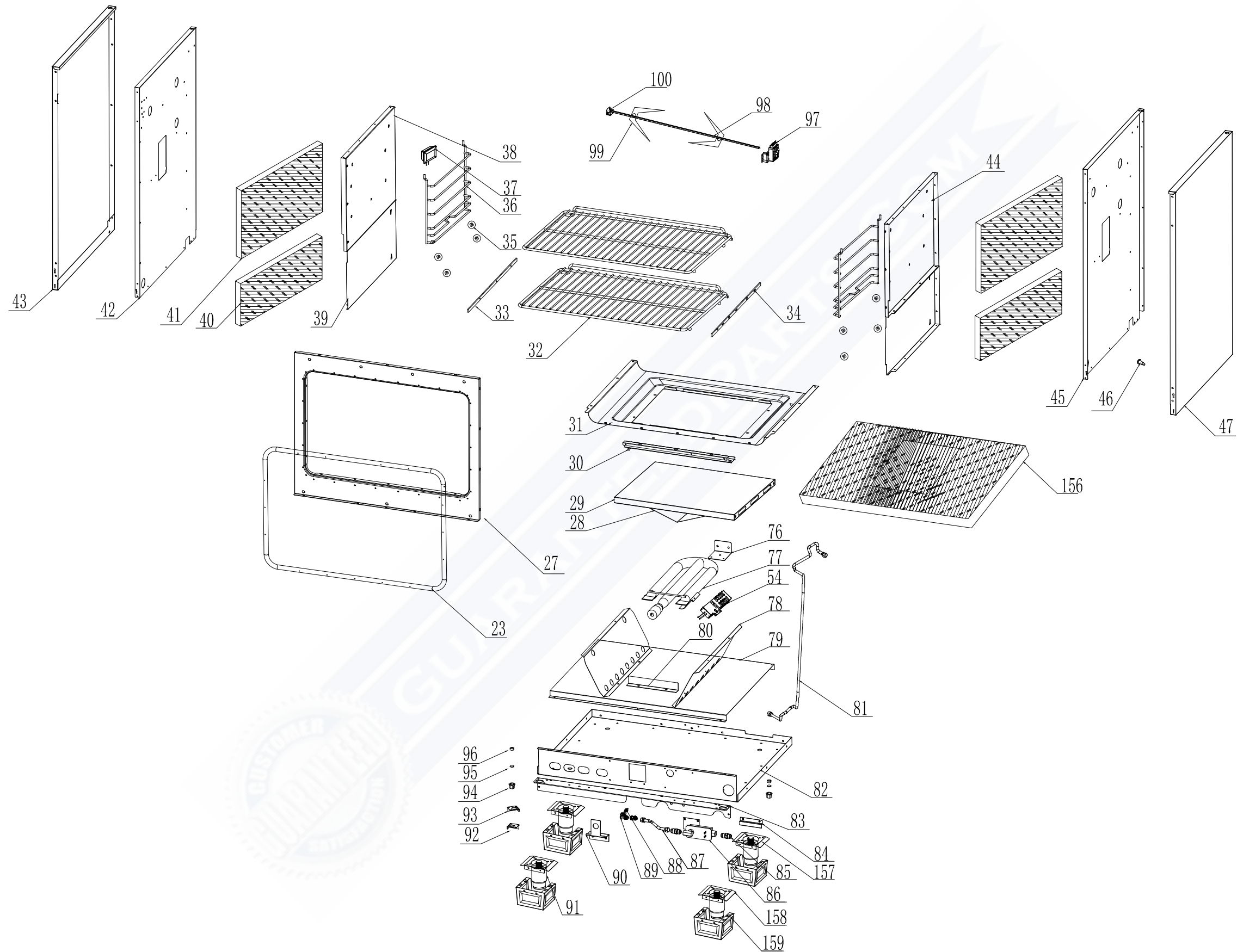
door



cavity back



oven cavity



FFSGS6460-30

No.	Material Name	Material Code	Qty.
1	Drawer panel G30R45	G30R45-120100	1
2	Handle right G18R43	G18R43-101901	1
3	handle rubber mat G18R43	G18R43-100700	4
4	door outside plate-right G30R45	G30R43-100403	1
5	Handle left G18R43	G18R43-101900	1
6	door outside plate-left G30R45	G30R43-100402	1
7	metal logo FFSGS6244-36	G36R03-020010	1
8	door outer glass black pressing plate G30R43	G30R43-101400-02	8
9	door outer glass G30R43	G30R43-101100	2
10	door insulation plate right G30R43	G30R43-100801	1
11	Handle strengthen bar G36R43	G36R43-100700	2
12	door insulation plate left G30R43	G30R43-100800	1
13	up/down frame body for door inside glass	G30R43-101500	4
14	inner door glass G30R43	G30R43-100500	4
15	left/right frame body for door inside glass	G36X03-101601	2
16	axis of rotation component right	G36R43-101301-Z	1
17	supported seal part for right door G30R44	G30R44-102100	1
18	seal support for left door G30R44	G30R44-101000	1
19	axis of rotation component left	G36R43-101300-Z	1
20	drawer rubber mat G20A01	G20A01-120900	2
21	Door frame Right G30R43	G30R43-100603-Z	1
22	Door frame Left G30R43	G30R43-100602-Z	1
23	door seal bar G48R03	G48R03-071200	1
24	seal part for right door G36R43	G36R43-101100	1
25	supported seal part for left door G36R43	G36R43-102000	1
26	glass wool for door G30R43	G30R43-103500	2
27	front plate component G30R43	G30R43-070100-Z	1
28	oven burner reflect board G30X03	G30X03-080900	1
29	down tray G30R07	G30R07-210102	1
30	cavity down strengthen part G30X03	G30X03-070000	1
31	cavity down blue enameled plate G30X03	G30X03-070704-Z	1
32	baking rack-stainless steel G30R05	G30R05-071901	3
33	slide rail L X01 series G36X01	G36X01-120700	3
34	slide rail R X01 series G36X01	G36X01-120701	3
35	side rack protect cover G36X03	G36X03-073900	8
36	side rack G36X01	G36X01-073801	2
37	square lamp G36X04	G36X04-180100	2
38	cavity top left side blue enameled plate G36R04	G36R04-070501	1
39	cavity downside plate G36X03	G36X03-070400	2
40	glass wool for cavity down left down side G36X03	G36X03-073000	2
41	glass wool for cavity down left upper side G36X03	G36X03-073300	2
42	left outside plate inside component G36R43	G36R43-071101-Z	1

43	left outside plate G30R45	G30R45-071000	1
44	cavity top right side blue enameled plate G36R04	G36R04-070500-Z	1
45	right outside plate inside component	G36R43-071100-Z	1
46	screw for anti-tip step G36X03	G36X03-111000	1
47	right outside plate G30R45	G30R45-071001	1
48	convection fan cover G48X04	G48X04-091701	1
49	convection fan G36X03	G36X03-091500	1
50	cavity blue enameled back plate-R04-1 G30R04	G30R04-070300	1
51	fan motor baffle plate G36X03	G36X03-073100	1
52	glass wool for cavity back plate G30X04	G30X04-072900	1
53	fan motor down strengthen part G48X03	G48X03-803300	1
54	oven cavity spark plug G36X03	G36X03-170300-1	1
55	smoke outlet component G36X03	G36X03-075000-Z	2
56	cavity back insulation plate G30R07	G30R07-072201	1
57	Regulator G36X03	G36X03-034000	1
58	pressure adjustable valve fixed support G36X03	G36X03-034500	1
59	cavity back gas manifold G36X03	G36X03-030800	1
60	5/8" corrugated pipe 300mm G20C01	G20C01-215302	1
61	5/8" corrugated pipe 450mm G20C01	G20C01-215308	1
62	baffle plate G30R43	G30R43-072000	1
63	anti-tip support G36X01	G36X01-212501	1
64	3/4" corrugated pipe 170mm G36X03	G36X03-215300	1
65	chimney inside plate G36R03	G36R03-074100	2
66	anti-wall rubber mat G36X03	G36X03-212600	2
67	LED light transformer G36R04	G36R04-180305	1
68	nozzle 1.80 G48X04	G48X04-021207	1
69	chimney outer plate G36R03	G36R03-074200	2
70	relay G36X03	G36X03-190200	1
71	power cord #13 G20A13	G20A13-160100	1
72	safety valve big support G36X03	G36X03-076600	1
73	ignition support G36X03	G36X03-212300	1
74	power cord terminal cover G36X03	G36X03-031300	1
75	power cord terminal G36X03	G36X03-200200	1
76	U type burner back support G36X03	G36X03-080700	1
77	oven U type burner G36X03	G36X03-080100	1
78	U type burner baffle plate G36X03	G36X03-200800	2
79	drawer insulation plate G30X03	G30X03-072100	1
80	U type burner downside support G36X03	G36X03-080600	1
81	5/8" corrugated pipe 870mm G20C01	G20C01-215311	1
82	bottom plate G30R43	G30R43-071800	1
83	Door down side connection plate G30R43	G30R43-985600-02	1
84	drawer fixed plate G30R45	G30R45-120200	2
85	safety valve gas inlet G36X03	G36X03-210500	4
86	safety valve G36X03	G36X03-035000-1	2
87	5/8" corrugated pipe 160mm G20C01	G20C01-215306	1

88	oven burner nozzle NG 2.20 G18X03	G18X03-021206	1
89	oven burner nozzle mount G36X03	G36X03-021101	2
90	oven burner nozzle mount support G36X03	G36X03-090700	1
91	oven leg G36X03	G36X03-071500	4
92	bottom rotate fixed part left G36R43	G36R43-032000-Z	1
93	bottom rotate fixed part right G36R43	G36R43-032001-Z	1
94	adjustable base G36R43	G36R43-002100	2
95	French door gasket	G36R43-002300	2
96	roast axis coat G48R43	G48R43-002200	2
97	Rotisserie motor G20A01	G20A01-200101	1
98	rotisserie rod 618mm rotisserie fork G36R03	G36R03-200501	1
99	rotisserie fork G20A01	G20A01-200601	2
100	roasted axis support G20A01	G20A01-200700	1
101	cavity insulation plate G30R43	G30R43-074500	1
102	cavity top plate component G30X04	G30X04-070600-Z	1
103	front panel strip G30X03	G30X03-214500	1
104	thermo-sensor fixed part G36X03	G36X03-031100	2
105	orifice plate for infrared burner wire G36X04	G36X04-071700	1
106	Al. cover for infrared ignition plug wire G36X04	G36X04-073900	1
107	grill infrared ignition plug G36X04	G36X04-170300-1	1
108	grill infrared ignition plug fixed support G36X04	G36X04-090600	1
109	infrered burner binder plate G36X04	G36X04-075000	1
110	grill infrared burner G36X04	G36X04-090100	1
111	grill infrared insulation cover G36X04	G36X04-071600	1
112	glass wool for cavity top plate G30X04	G30X04-036000	1
113	glass wool for cavity body G30X03	G30X03-070800	1
114	ventilation bottom plate G36R43	G36R43-075100	1
115	Cooling fan G36R43	G36R43-200900	1
116	ventilation plate G36R43	G36R43-075000	1
117	Thermo-controller C36R05	C36R05-076200	1
118	knob for thermostat 1to 2 G36R04	G36R04-030103	1
118	heat shield - knob for thermostat 1to 2 G36R04	G36R04-030104	1
119	knob for double gas outlet G36R04	G36R04-030101	5
119	heat shield - knob for double gas outlet G36R04	G36R04-030106	5
120	knob ring for main gas valve G36R04	G36R04-030202	5
121	knob shining PCB G36R04	G36R04-031000	6
122	knob ring for thermostat G36R04	G36R04-030201	1
123	Door top connection plate G30R43	G30R43-022300-02	1
124	Round press button G36R45	G36R45-170200	1
125	red indicator G36X03	G36X03-031000-7	1
126	Copper bush G36R43	G36R43-130100	2
127	pressing plate for copper bush	G30R43-057600	2
128	Control panel component G30R44	G30R43-032302-Z	1
129	pressing plate for rotated axis	G36R43-057600	2
130	Round press button G36R43	G36R43-170200	3

131	control panel top support right	G30R43-071501	1
132	control panel top support left	G30R43-071500	1
133	cooktop front support G30R43	G30R43-022100	1
134	red LED light G36X04	G36X04-031000-7	6
135	digital thermostat KKXT-18-48 G36X03	G36X03-030900-1	1
136	control panel main gas pipe G30R43	G30R43-030700	1
137	R/F main Al.pipe G36R03	G36R03-020500	2
138	R/F support Al.pipe G36R03	G36R03-020600	2
139	Middle main Al.pipe G30R05	G30R05-020200	1
140	Middle support Al.pipe G30R05	G30R05-020300	1
141	Cooktop valve 0.68+0.27 C36R04	C36R04-030400	5
142	R/R support Al.pipe G48R04	G48R04-020500	2
143	R/R main Al.pipe G48R04	G48R04-020600	2
144	Ignition G36R03	G36R03-170101	5
145	cooktop back support G30X03	G30X03-022000	1
146	chain with screw component	G36R43-110001	1
147	Cooktop plate G30R04	G30R04-020100	1
148	cooktop back connection plate G30R04	G30R04-073600	1
149	backsplash bolt G36X03	G36X03-110800	2
150	backsplash board G30R04	G30R04-011500-Z	1
151	top burner spark plug 700 G36R04	G36R04-170501	3
152	20,000BTU brass burner assembly	G36R03-020001	5
152.1	20,000btu burner cup	G36R03-040301	5
152.3	20,000BTU brass burner base	G36R03-040302	5
152.4	20,000btu inner burner cap	G36R03-040203	5
152.4	20,000btu outer burner cap	G36R03-040204	5
153	top burner spark plug 400 G36R04	G36R04-170505	2
154	cast iron grates G30R04	G30R04-021500	2
155	pan support G48R03	G48R03-021400	1
156	glass wool for cavity down plate G30X01	G30X01-036000	1
157	back left/right foot fixed part	G48R04-071811	2
158	front left/right foot fixed part	G48R04-071813	2
159	leg cover	G36X01-071600	4
160	thermo-sensor baffle piece	G36R43-031100	1
	#N/A	G30R44-180310	1
	#N/A	G30R45-180303	1
	#N/A	G36X04-171000	1
	30" wires for LED light-R04	G30R04-180302	1
	convection fan insulation wool - DF	G36X03-072800	1
	straight fixed part for door outer glass	G36R03-101300	10
	L shape fixed part for door outer glass	G36R03-101200	4
	plastic wire hook	G36R03-160200	2
	#N/A		1
	#N/A	G36R45-180301	1
	#N/A	BZ-0000001601	15

	LP 20,000BTU burner center nozzle 0.46	G20A01-021235	5
	LP 20,000BTU burner outer nozzle 0.9	G20A01-021203	10
	LP oven burner nozzle 1.39	G18X03-021207	1
	#N/A	G48X04-021206	1
	plastic rivet G36R03	G36R03-232902	12
	#N/A	G20B01-230700	2
	#N/A	G48R03-212300	1
	#N/A	G36R03-212300	1
	#N/A	BZ-0000001606	8
	#N/A	G36X03-233000	2
	#N/A	G36R03-231535	1
	#N/A	BZ-0000000614	10
	#N/A	G20A07-160200	1
	#N/A	G30R03-102000	1
	#N/A	G60R03-031200	4
	#N/A	G60R03-031201	4
	#N/A	G30R05-232720	1
	#N/A	G48R04-071816	4
	36" french door outer glass horizontal pressing plate	G30R45-101400-02	4
	#N/A	G36R43-0905000	1
	30" french door seal	G36R43-071200	1

GUARANTEE

